

LSFTG SERIES LED PANEL

LSFTG2.6-5.2 LSFTG3.9-7.8 LSFTG7.8-7.8 LSFTG10.4-10.4

DESIGNED FOR GLASS FACADE

LSFTG series LED panel widely used on glass window or ceiling with lighter weight & higher transparency.

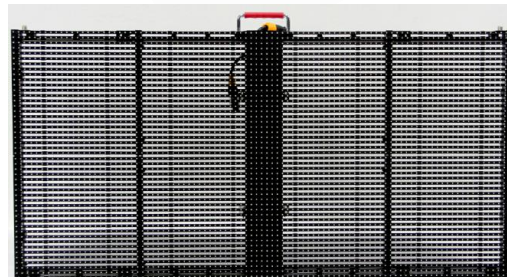
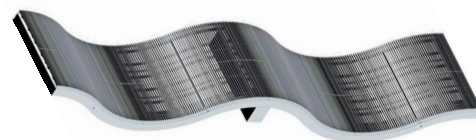
FEATURES



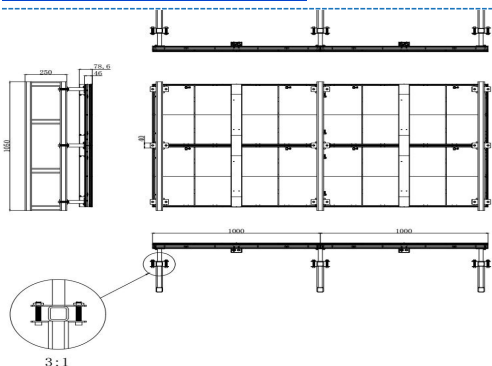
1000x500mm

- ◆ Front or rear access
- ◆ Ultra-light and ultra-slim 6KG/cabinet, Thickness 85mm
- ◆ Higher transparency >45%
- ◆ High brightness up to 5500cd/m² Max(Customized)
- ◆ Cabinet customized is available (Convex design)
- ◆ Frame hidden is optional
- ◆ Energy saving & higher refresh rate >3840Hz

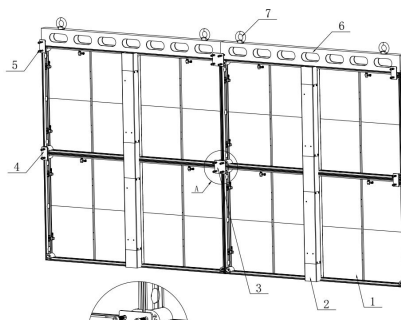
PRODUCT IMAGE



STRUCTURE



Fixed Installation



Hanging Installation

TECHNICAL PARAMETERS FOR INDOOR MODEL

Item	LSFTG2.6-5.2	LSFTG3.9-7.8	LSFTG7.8-7.8	LSFTG10.4-10.4
Pixel Distance	vertical 5.2mm horizontal 2.6mm	vertical 7.8mm horizontal 3.9mm	vertical 7.8mm horizontal 7.8mm	vertical 10.4mm horizontal 10.4mm
Cabinet Dimension	1000mm*500mm	1000mm*500mm	1000mm*500mm	1000mm*500mm
Screen Weight	13KG/sqm	13KG/sqm	15KG/sqm	15KG/sqm
Unit Resolution	384*96 dots	256 * 64 dots	128 * 64 dots	96 * 48 dots
Power Input	AC220V-AC240V			
Brightness	800cd/m ² ~4000cd/m ²	800cd/m ² ~5000cd/m ²	800cd/m ² ~5000cd/m ²	800cd/m ² ~2000cd/m ²
Viewing angle	140° /140°	140° /140°	140° /140°	140° /140°
Max Power consumption	≤750W/m ²	≤750W/m ²	≤750W/m ²	≤750W/m ²
Ave Power consumption	≤250W/m ²	≤250W/m ²	≤250W/m ²	≤250W/m ²
Driving scan	1/16 scan	1/16 scan	1/8 scan	1/4scan
Refresh rate	1920 Hz / 3840 Hz	1920 Hz / 3840 Hz	1920 Hz / 3840 Hz	1920 Hz / 3840 Hz
Gray scale	16 bits	16 bits	16 bits	16 bits
Pixel density	73728 dots/m ²	32768 dots/m ²	16384 dots/m ²	9216 dots/m ²
Transparency	≥45%	≥60%	≥70%	≥80%
Working temperature	- 20°C~+40°C	- 20°C~+40°C	- 20°C~+40°C	- 20°C~+40°C
Working humidity	10%-80%RH	10%-80%RH	10%-80%RH	10%-80%RH
Life	100,000 H	100,000 H	100,000 H	100,000 H

Remark: Above data is subject to change without previous notice



Linso Culture & Technology (Shanghai) Co., Ltd

ADD:NO955, Jiamei Road, Nanxiang Town, Jiading District, Shanghai, 201802, China.

Tel: +86-21-69927037 Fax: +86-21-69927035

Email: sale@linso.com.cn

Website: www.linso.cc

TECHNICAL PARAMETERS FOR OUTDOOR MODEL

Item	LSFTGO3.9-7.8	LSFTGO5.2-10.4	LSFTGO10.4-10.4
Pixel Distance	vertical 7.8mm horizontal 3.9mm	vertical 10.4mm horizontal 5.2mm	vertical 10.4mm horizontal 10.4mm
Cabinet Dimension	1000mm*500mm	1000mm*500mm	1000mm*500mm
Screen Weight	20KG/sqm	20KG/sqm	20KG/sqm
Unit Resolution	256 * 64 dots	192 * 48 dots	96 * 48 dots
Power Input	AC220V-AC240V		
Brightness	3500cd/m ² ~4000cd/m ²	3500cd/m ² ~5000cd/m ²	3500cd/m ² ~5000cd/m ²
Viewing angle	140° /140°	140° /140°	140° /140°
Max Power consumption	≤800W/m ²	≤800W/m ²	≤800W/m ²
Ave Power consumption	≤260W/m ²	≤260W/m ²	≤260W/m ²
Driving scan	1/8 scan	1/4 scan	1/2 scan
Refresh rate	1920 Hz / 3840 Hz	1920 Hz / 3840 Hz	1920 Hz / 3840 Hz
Gray scale	16 bits	16 bits	16 bits
Pixel density	32,768 dots/m ²	18,432 dots/m ²	9216 dots/m ²
Transparency	≥45%	≥50%	≥55%
Working temperature	- 20°C~+50°C	- 20°C~+50°C	- 20°C~+50°C
Working humidity	10%-90%RH	10%-90%RH	10%-90%RH
Life	100,000 H	100,000 H	100,000 H

Remark: Above data is subject to change without previous notice



Linso Culture & Technology (Shanghai) Co., Ltd

ADD:NO955, Jiamei Road, Nanxiang Town, Jiading District, Shanghai, 201802, China.

Tel: +86-21-69927037 Fax: +86-21-69927035

Email: sale@linso.com.cn

Website: www.linso.cc